



Centrifugal Sanitary Pumps

CS - CSX series

Standard design

Closed coupled hygienic centrifugal pumps with open impellers. CS Series pumps meet the highest requirements of the food, pharmaceutical, chemical and water treatment industries. The pumps are designed to a modular concept, resulting in a large number of models and a massive performance range. When combined with the extremely robust construction, these highly efficient pumps become ideal for any hygienic process system.

Wetted parts in CF-3M 1.4404 / AISI 316L stainless steel, investment cast and electro-chemically polished. Special internal finishes to 0,5 micron Ra are available on request (not on sizes 125 to 150).

Separate IEC standard motor.
Flow rates up to 500 m³/h, heads up to 100 m (10 bar) with performance, with low NPSH values.

The clamp casing and seal design allows quick disassembly for inspection, cleaning and maintenance. It also enables the discharge port to be rotated to any position for easy installation (sizes 125 to 150).

For aggressive products and environments, CS pumps can, on special request, be manufactured in the following materials:

- Sanicro 28 (1.4563)
- Duplex SAF 2507 (1.4410)
- Hastalloy C276

Seals:

Mechanical seals with seats to EN 12756, ISO 3069 standards.
Single internal mechanical seal
Single external mechanical seal
Double flushed mechanical seal

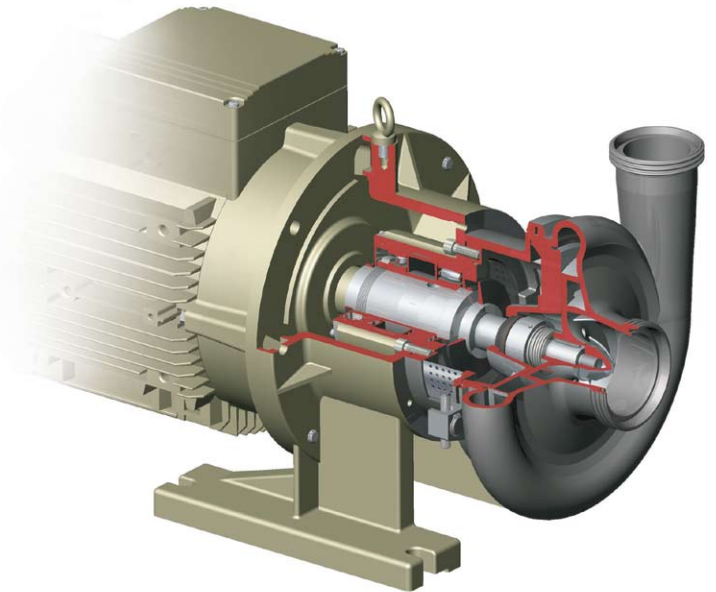
Elastomers (certified to FDA):

- EPDM
- Fluorocarbon (Viton)
- Silicone
- P.T.F.E. (Fep)

Special version equipped with an inducer in the suction port. This device is fitted immediately upstream of the impeller to reduce the NPSH required by the pump.



CS pump with shroud and adjustable feet.

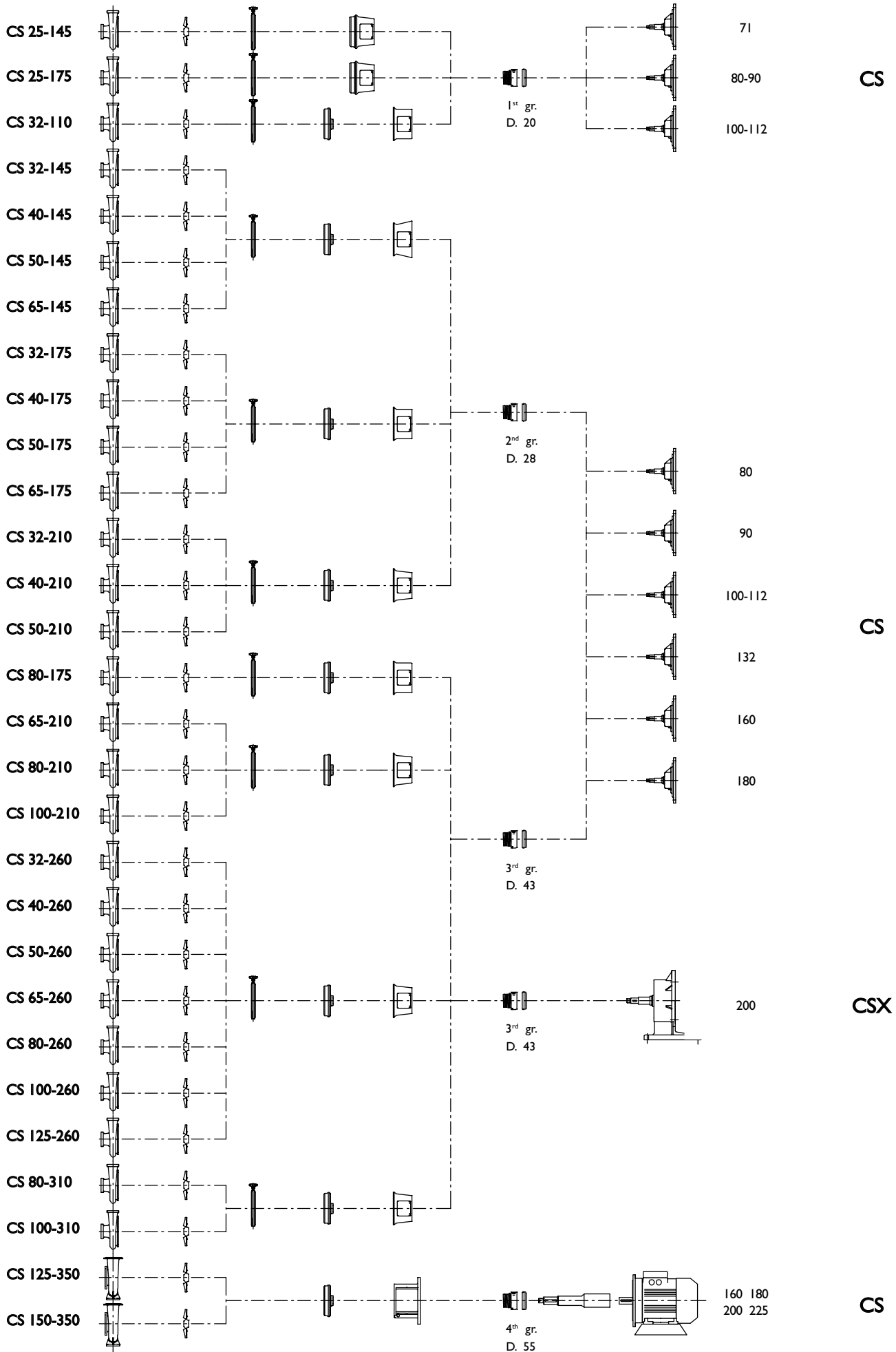


CS pump X execution
Close coupled centrifugal pumps with separate support frame and grease lubricated bearings, for extremely arduous applications.

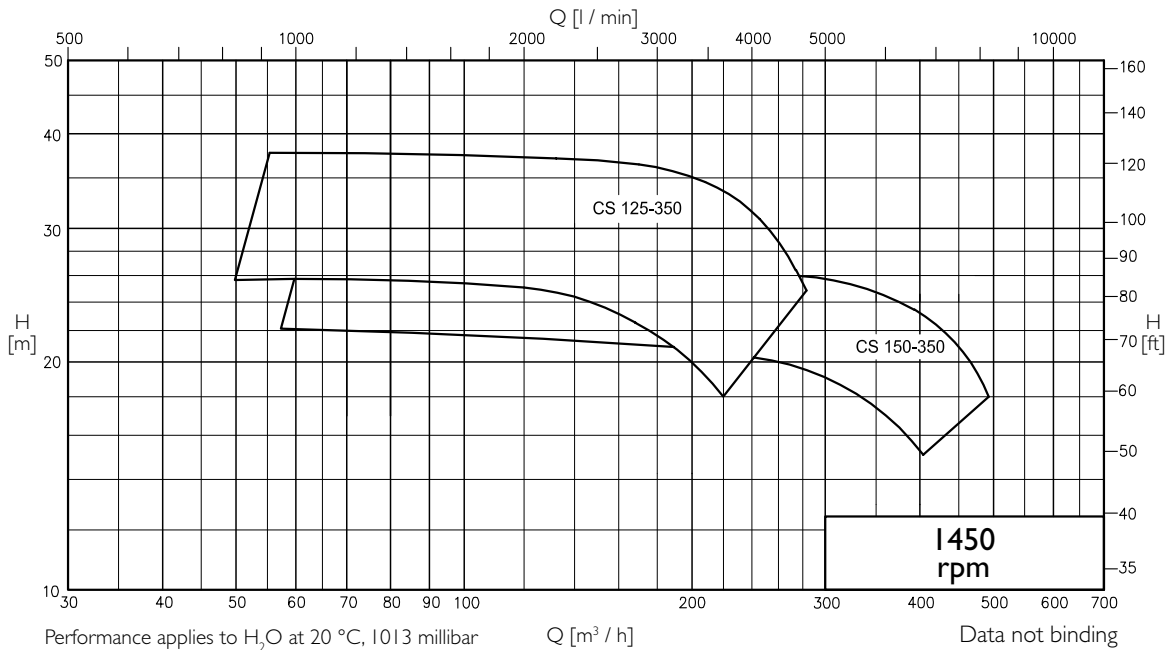
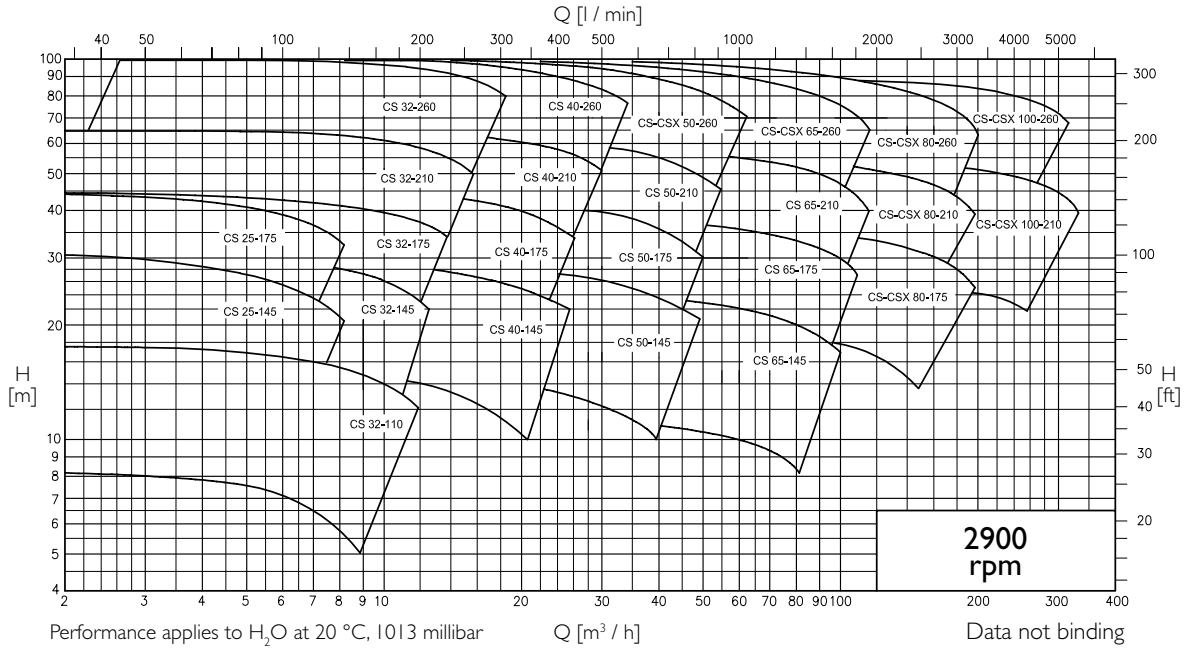
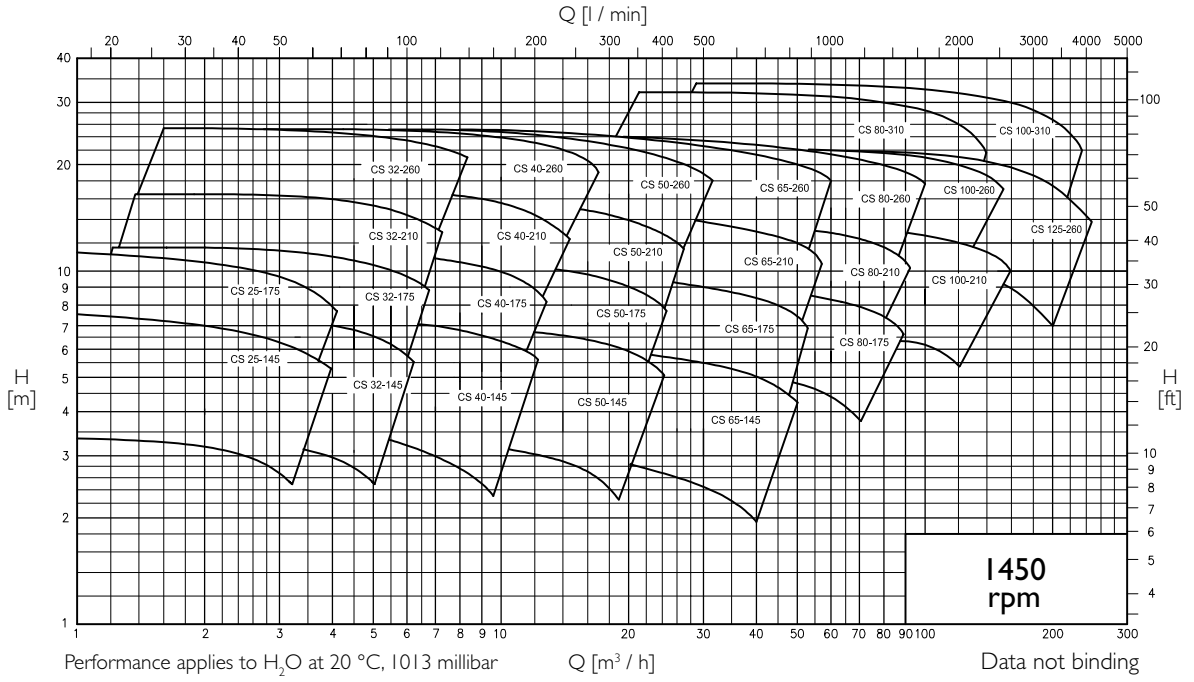
Connections:

DIN - SMS - IDF - BS / RJT - DS - CLAMP and EN 1092-1 PN 16 flanges suitable for all international standards.

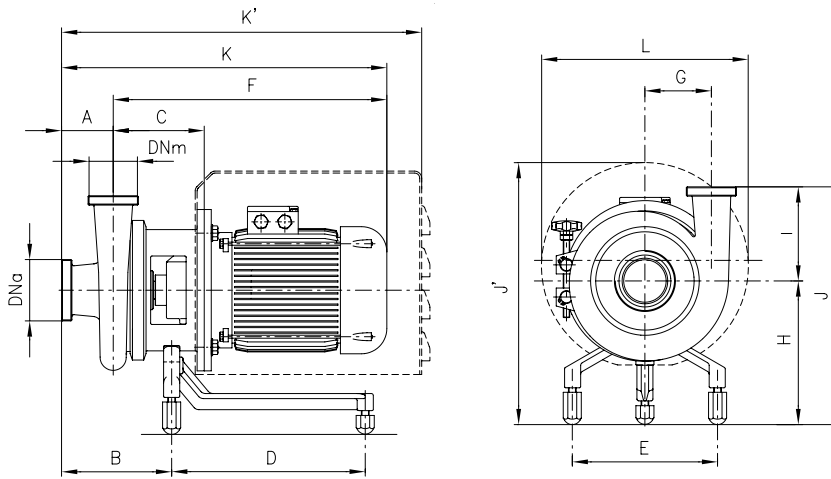
A wide range of 29 models divided into 4 groups.



GENERAL DIAGRAMS



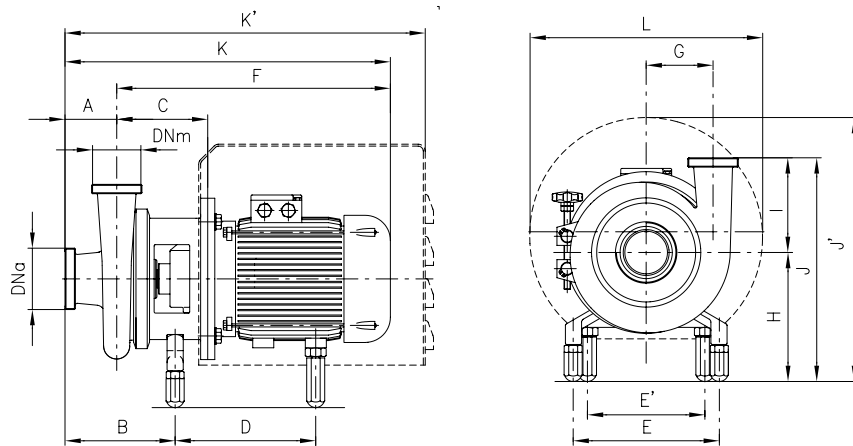
OVERALL DIMENSIONS



Dimensions not binding - DN = DIN 11851 male threaded connections with standard IEC/EN motors

Pumps	IEC motors size:	DNa	DNm	A	B	C	D	E	F	G	H	K	K'	I	J	J'	L								
CS 25-145	71	32	25	75	144	117	190	178	335	81	158	410	532	145	303	300	239								
	80					123			359			434	541			340	298								
	90					403			478																
CS 25-175	71	32	25	65	134	117	190	178	335	96	164	410	522	149	313	306	239								
	80					123			359			424	531			346	298								
	90					403			468																
	100					138	301	225	454		519	619	359			353	330								
	112					466																			
CS 32-110	71	40	32	70	137	117	190	178	335	65	149	405	527	110	259	291	239								
	80					123			359			429	536			331	298								
	90					403			473																
CS 32-145	80	40	32	80	167	138	231	225	374	85	208	454	566	145	353	372	298								
	90					418			498																
	100					139	301		455		225	535						370	430	330					
	112					467																			
CS 32-175	80	40	32	80	167	139	231	225	375	95	213	455	567	150	363	385	298								
	90					419			499																
	100					140	301		456		230	536						380	435	330					
	112					468																			
CS 32-210	80	40	32	80	158	139	231	225	375	110	221	455	567	165	386	385	298								
	90					419			499																
	100					140	301		456		238	536						636	403	443	330				
	112					467																			
CS 32-260	90	50	32	90	184	163	231	225	443	140	221	533	601	172	393	385	298								
	100					164	301		480			238	570					670	410	443	330				
	112					492																			
CS 40-145	80	50	40	80	168	139	231	225	375	90	208	455	567	133	341	372	298								
	90					418			498																
	100					140	301		455		225	535						636	358	430	330				
	112					467																			
CS 40-175	80	50	40	80	169	141	231	225	377	95	213	457	569	150	363	377	298								
	90					421			501																
	100					142	301		458		230	538						638	380	435	330				
	112					470																			
CS 40-210	80	50	40	80	161	141	231	225	377	115	221	457	569	165	386	385	298								
	90					421			501																
	100					142	301		458		238	538						638	403	443	330				
	112					470																			
CS 40-260	90	50	40	100	194	163	231	225	443	145	221	543	611	172	393	385	298								
	100					164	301		480			238	580					680	410	443	330				
	112					492																			
CS 50-145	80	65	50	80	170	141	231	225	377	95	208	457	569	145	353	372	298								
	90					421			501																
	100					142	301		458		225	538						638	370	430	330				
	112					470																			
CS 50-175	80	65	50	80	169	141	231	225	377	100	213	457	569	150	363	377	298								
	90					421			501																
	100					142	301		458		230	538						638	380	435	330				
	112					470																			
CS 50-210	90	65	50	80	161	141	231	225	421	120	221	501	569	165	386	385	298								
	100					142			301			458						238	538	638	402	443	330		
	112					470																			
CS 50-260	100	65	50	90	185	165	301	225	481	145	238	571	671	175	413	443	330								
	112								493																
	80								381			460													
CS 65-145	80	80	65	79	173	145	231	225	425	112	208	460	572	145	353	372	298								
	90								425			504													
	100								146		301	225						462	225	541	642	145	370	430	330
	112								474																
CS 65-175	90	80	65	80	172	144	231	225	424	120	213	504	572	150	363	377	298								
	100					145			301			461						230	541	641	380	435	330		
	112					473																			
	90					168	231		225		448	221						538	605	165	386	385	298		
CS 65-210	100	80	65	90	189	169	301	225	485	135	238	575	675	165	403	443	330								
	112								497																
	100								484		584														
CS 65-260	100	80	65	100	198	168	301	225	496	155	238	596	684	205	443	443	330								
	112								496																

CS 80-175	100	100	80	100	204	174	301	225	490	139	230	590	690	164	394	435	330
	112								502			602					
CS 80-210	100	100	80	100	201	171	301	225	487	145	238	587	687	165	403	443	330
	112								499			599					
CS 80-260	100	100	80	100	201	171	301	225	487	165	238	587	687	209	447	443	330
	112								499			599					

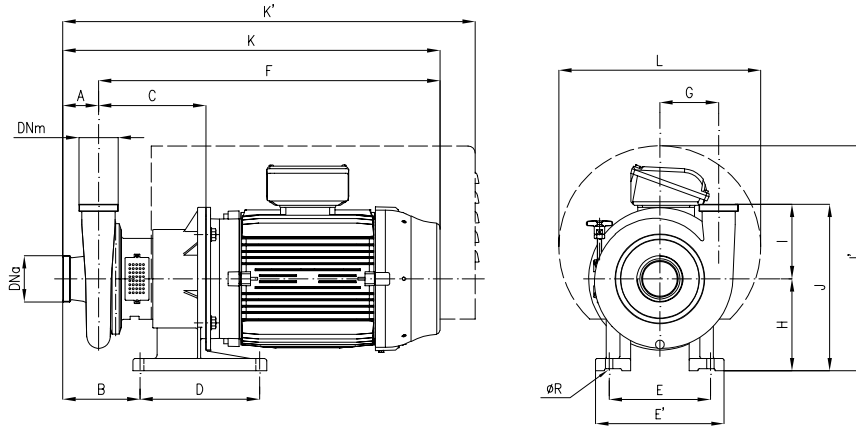


Dimensions not binding - DN = DIN 11851 male threaded connections with standard IEC/EN motors

Pumps	IEC motors size:	DNa	DNm	A	B	C	D	E	E'	F	G	H	K	K'	I	J	J'	L		
CS 32-210	132 S	40	32	80	158	161	309	225	198	571	110	238	651	735	165	403	460	370		
	132 M					206	446		254	733			813	907			546	478		
	160																			
CS 32-260	132 S	50	32	90	184	185	318	225	198	595	140	238	685	769	172	410	460	370		
	132 M					225	450		254	752			842	940			419	555	478	
	160																			
CS 40-175	132 S	50	40	80	169	164	301	225	198	574	95	230	654	738	150	380	460	370		
	132 M				161	208	438		254	735			815	909			165	403	546	478
	160																			
CS 40-210	132 S	50	40	80	161	164	309	225	198	574	115	238	654	738	165	403	460	370		
	132 M				208	446	254		735	815			909	546			478			
	160																			
CS 40-260	132 S	50	40	100	194	185	318	225	198	595	145	238	695	779	172	410	460	370		
	132 M					225	494		254	752			852	950			419	555	478	
	160					532	279		779	879										
	180																			
CS 50-145	132	65	50	80	170	164	300	225	198	574	95	225	654	738	145	370	447	370		
CS 50-175	132 S	65	50	80	169	164	301	225	198	574	100	230	654	738	150	380	452	370		
	132 M					208	438		254	735			815	909			538	478		
	160																			
CS 50-210	132 S	65	50	80	161	164	309	225	198	574	120	238	654	738	165	403	460	370		
	132 M				208	446	254		735	815			909	546			478			
	160				171	223	494		279	777			857	928			413	556		
	180																			
CS 50-260	160	65	50	90	186	228	450	225	254	755	145	247	845	943	175	422	555	478		
	180				494	279	782		872											
CS 65-145	132 S	80	65	79	173	168	300	225	198	578	112	225	657	741	145	370	447	370		
	132 M				212	437	254		739	818			912	533			478			
	160																			
CS 65-175	132 S	80	65	80	172	167	301	225	198	577	120	230	657	741	150	380	452	370		
	132 M				211	482	254		738	818			912	538			478			
	160				173	224	493		279	778			858	929			391	538		
	180																			
CS 65-210	160	80	65	90	189	231	450	225	254	758	135	247	848	946	165	412	555	478		
	180				494	279	785		875											
CS 65-260	132 S	80	65	100	198	190	318	225	198	600	155	238	700	784	205	443	460	370		
	132 M				230	450	254		757	857			955	205			452	555	478	
	160				494	279	784		884											
	180																			
CS 80-175	132 S	100	80	100	204	195	316	225	198	603	139	230	703	787	164	405	452	370		
	160				205	236	449		254	763			863	961			405	549	478	
	180								279	790			890							
CS 80-210	132 S	100	80	100	193	318	225	198	603	145	238	703	787	165	403	460	370			
	160				233	450		254	760			860	958			164	411	555	478	
	180				494	279		787	887											
CS 80-260	132 S	100	80	100	193	318	225	198	603	165	238	703	787	209	447	460	370			
	132 M				233	494		254	760			860	958			164	411	555	478	
	160																			
CS 80-310	160	100	80	100	202	235	495	225	254	767	200	250	867	994	250	500	560	480		
	180				533	279	827		927											
CS 100-210	132	125	100	111	219	200	318	225	198	610	161	238	721	805	214	452	460	370		
	160				240	494	247		794	905			976	461			555	478		
	180																			
CS 100-260	132 M	125	100	115	218	195	318	225	198	605	186	238	720	804	216	454	460	370		
	160				235	454	247		777	877			975	463			555	478		
	180				235	494	279		789	904										
CS 100-310	160	125	100	115	221	239	495	225	254	771	214	250	886	1013	259	509	560	480		
	180				533	279	831		946											
CS 125-260	132 M	150	125	110	223	203	318	225	198	613	206	238	723	621	216	454	460	370		
	160				244	450	254		771	881			979	463			555	478		
	180				494	279	798		908											

OVERALL DIMENSIONS

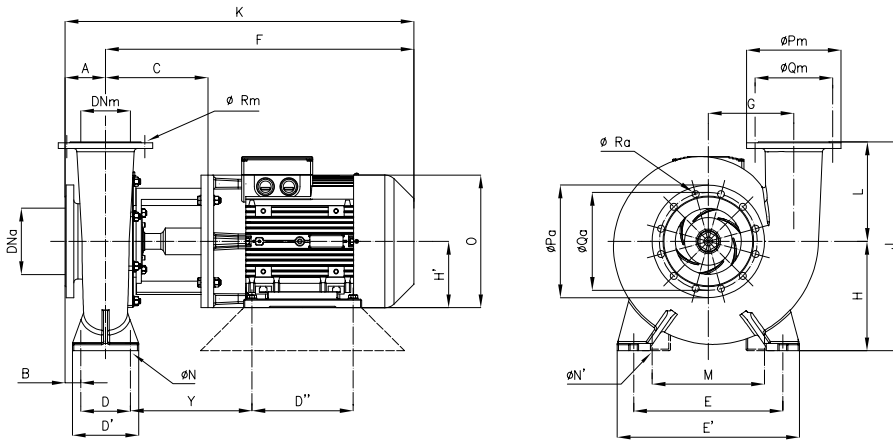
**PUMPS CSX SERIES
FOR POWER OF 30 kW
(MOTOR SIZE IEC 200)**



Dimensions not binding - DN = DIN 11851 male threaded connections with standard IEC/EN motors

Pumps	EC motor size 200	DNa	DNm	A	B	C	D	E	E'	F	G	H	K	K'	ØR	I	J	J'	L	
CSX 50-260		65	50	90	201	296	335	284	360		915	145	258	1005	1141	21	175	433	613	530
CSX 65-260		80	65	100	213	298					917	155		1017	1153		205	463		
CSX 80-175		100	80	100	219	304					923	139		1023	1159		164	422		
CSX 80-210		100	80	100	216	301					920	145		1020	1156		164	422		
CSX 80-260		100	80	100	216	301					920	165		1020	1156		209	467		
CSX 80-310		100	80	100	218	303					964	200		1064	1154		250	508		
CSX 100-210		125	100	111	234	308					927	161		1038	1174		214	472		
CSX 100-260		125	100	115	233	303					922	186		1037	1173		216	474		
CSX 100-310		125	100	115	237	307					968	215		1083	1172		259	517		
CSX 125-260	150	125	110	237	312	931					206	1041		1177	216		474			

**"CS" PUMP
4th GROUP
CLOSE COUPLED
VERSION**



Dimensions not binding - DN = Flanges EN 1092-1 PN 16

Pumps	IEC motors size:	DNa	DNm	A	B	C	D	D'	D''	E	E'	F	G	H	H'	K	J	Y	L	M	N	N'	O	Ø Pa	Ø Pm	Ø Qa	Ø Qm	Ø Ra	Ø Rm	no. holes a	no. holes m							
CS 125-350	132	150	125	122	47	286	150	200	279	400	500	846	232	280	132	825	300	300	216	254	22	12	300	285	250	240	210	22	18	8	8							
	160																															764	160	886	319	254	17	350
	180																															913	200	1035	361	318	19	400
	200																															983	225	1105	407	356	19	450
	225																															1105	225	1105	407	356	19	450
CS 150-350	132	200	150	122	47	292	150	200	279	450	550	852	258	330	160	892	630	338	300	279	22	17	350	340	285	295	240	22	22	12	8							
	160																															770	200	1035	361	318	19	400
	180																															919	225	1111	413	356	19	450
	200																															989	225	1111	413	356	19	450
	225																															1111	225	1111	413	356	19	450



DEWAELE TECHNICAL AGENCIES
 Hazewindstraat 71
 B-8540 DEERLUK
 T +32 (0)56 73 5671
 bernardcallens@dta-industrial.be
 www.dta-pompen.com



CSF Inox S.p.A. Strada per Bibbiano, 7 - 42027 Montecchio E. (RE) - ITALY EU
 Ph +39.0522.869911 ra. - Fx +39.0522.865454 / 866758 - csfitalia@csf.it - www.csf.it

Export Department • Commercial Étranger • Comercial Extranjero
 Ph +39.0522.869922 - Fx +39.0522.869841 - csfexport@csf.it - www.csf.it

All the instructions, data and representations (in whatever way executed) listed in this publication are indicative and do not binding. CSF does not stand surety or undertake any obligation for the utilisation of this document and for the information contained. In particular, it does not guarantee against omissions or errors of the data and drawings here indicated.
 Notice that the technical specifications, information and representations in this document are merely indicative and approximate. CSF INOX reserves the right at any moment and without notice to modify the data, drawings and information indicated in this document.