

The PLR range is a series of reciprocating plunger pumps, suitable for handling most liquids for the oil & gas and offshore markets. A variety of sizes are offered in Triplex and Quintuplex format and all are designed in accordance with the latest 3rd Edition of API674 and ISO13710.

APPLICATIONS

Clean or slightly contaminated liquids

Processes requiring High discharge pressures

Examples:

Methanol injection (PLR A-C)

Glycol circulation

Reverse osmosis

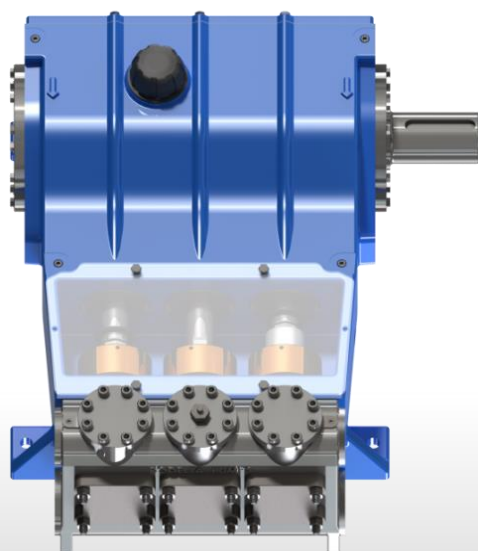
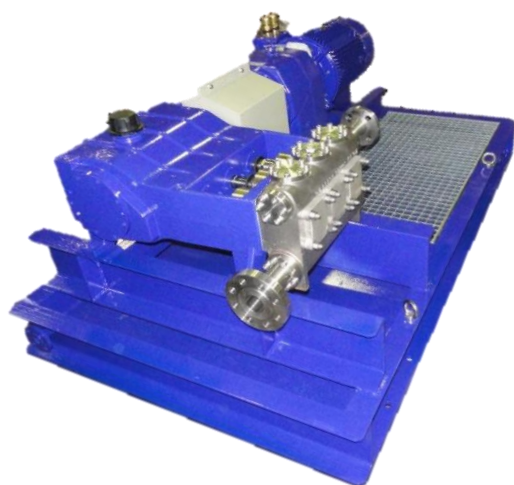
Water treatment, production and jetting

Hydrocarbon – Condensate

Closed drain pumps

Slops injection

Boiler feed



FEATURES

Designed to meet most customer requirements such as materials & specific Company amendments to API674

Dampeners, PSV's and instrumentation can mount direct to Pump Head

Motor can mount direct to top of crankcase for compact offshore footprint

Easy use/access service points to reducing maintenance time

Latest revised design for Low noise & vibrational characteristics

High duty efficiency

Extensive range capability

Designed to API 674 3rd edition

Construction Triplex/Quintuplex Plunger type

Design Standards API 674 latest 3rd ed. ATEX: EN13463:1:2001

Hydraulic Reciprocating Plunger

Max Capacity 115 m³/h

Max Discharge Pressure 1000 Bar

Temperature -40 up to 200 °C

Max Pump Speed 450 rpm

Transmission type Gear Box Horiz/Vert Drive belt inline/Ohead

Drive type Electric Motor Diesel or Petrol Engine Hydraulic Motor Variable speed drive

Pipe Size 25-250mm (1-10")

Materials Wide range of alloys incl NACE compliance

Design Life 20 Years (3 years constant operation)

RODELTA
PUMPS INTERNATIONAL



PERFORMANCE DATA

