

SPP/SPV

OVERHUNG HORIZONTAL (SPP) & VERTICAL (SPV) SINGLE STAGE END SUCTION PUMP

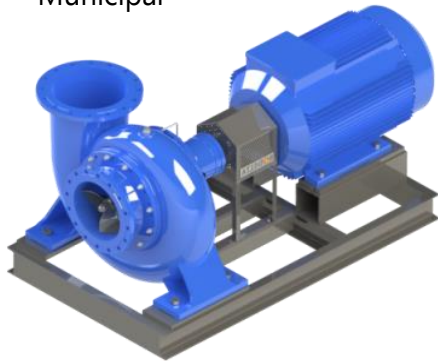
Developed by this company over 40 years ago the SPP is an overhung single-stage mixed flow centrifugal pump suitable for clean or contaminated liquids of high volume and low head. Access for impeller maintenance can be achieved with either back pull out or suction flange removal.

APPLICATIONS

Irrigation
Light/Medium Slurries
Drainage water
Return activated Sludge
Large volume low heads

Examples:

Agricultural
Water
Chemical & Petrochemical
Municipal



FEATURES

High efficiency = Low Power consumption
Axial suction & tangential discharge
Uniform power requirement over range
Large solids handling ability
Integral cast feet for greater stability
Back pull out
Suction flange access to impeller
Packed gland or Mech. Seal options
Electric or diesel driven

Construction

Overhung
Horizontal (SPP) or
Vertical (SPV)
Flexible coupling with
bearing housing

Design Standards

Manufacturers standard

Hydraulic

Mixed flow impeller.

Max Capacity

7000 m³/h

Max Op. Pressure

10 Bar*

Temperature

-10 Up to 140°C*

Max Head

30 m

Max Pump Speed

1450 rpm (60Hz)

Pipe Size

Suction: 175-600mm
Discharge: 200-650mm

Materials

Wide range of alloys
incl NACE compliant

Design Life

20 Years (3 years
constant operation)

* For higher values contact us.

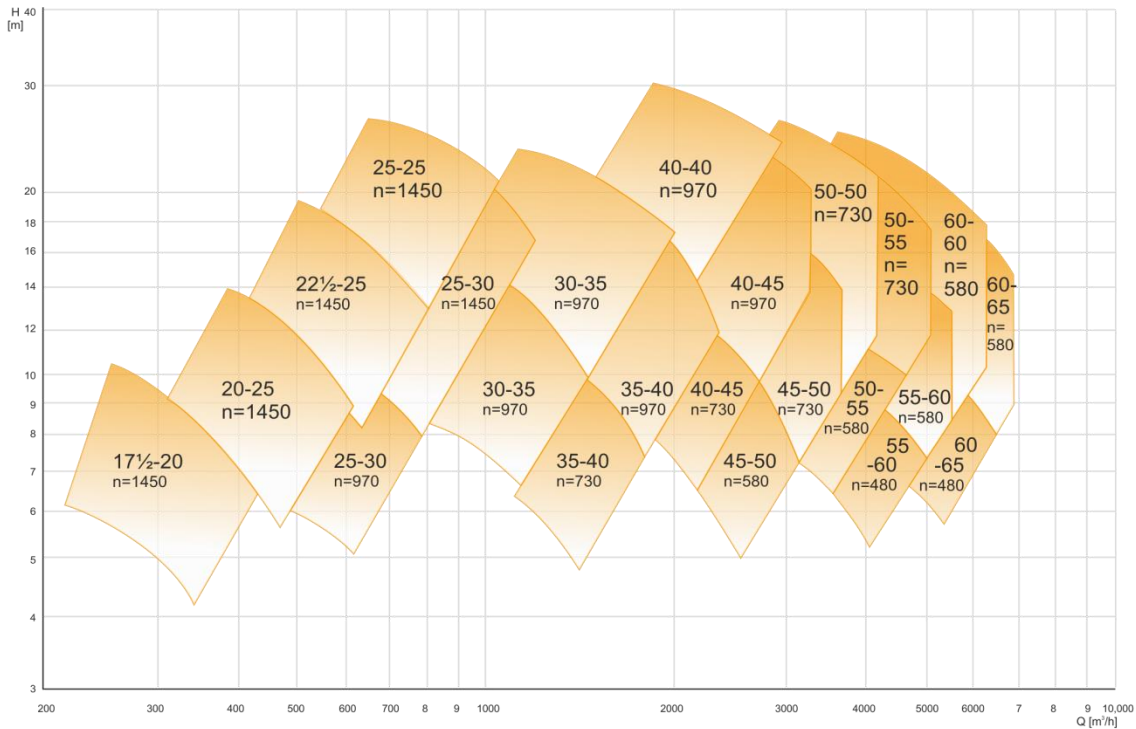
RODELTA
PUMPS INTERNATIONAL



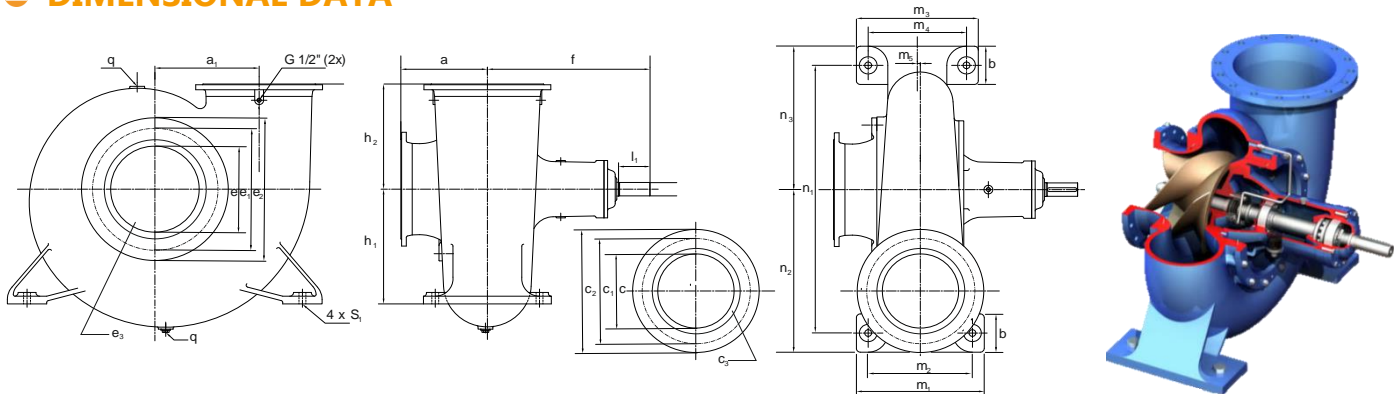
SPP/SPV

OVERHUNG HORIZONTAL (SPP) & VERTICAL (SPV)
SINGLE STAGE END SUCTION PUMP

PERFORMANCE DATA



DIMENSIONAL DATA



TYPE	Flanges NP10 (*NP6)																									
SPP	c	c1	c2	c3	e	e1	e2	e3	a	a1	b	d	f	h1	h2	l1	m1	m2	m3	m4	m5	n1	n2	n3	s1	q
17½ - 20	200	295	340	8x23	175	270	315		208	208	110		564	250	230	80	280	220	260	200		480	320	270	23	G½"
20 - 25					200	295	340	8x23	215	240	120		545	280	275		310	240	290	220	10	550	360	310		
22½ - 25	250	350	395	12x23	225	325	370		235	265	130		630	315	290		350	250	330	230		610	400	340	27	G (R) ¾"
25 - 25					250	350	395	12x23	245	268		42	620	285		110			320	220	15	590	390	330		(BSP)
25 - 30	300	400	445						300	300	140		620	355	320		380	280	360	260		695	450	385		
30 - 35	350	460	505	16x23	300	400	445		295	355	170		707	400	370		450	340	430	320	10	850	550	470	32	G1"
35 - 35					350	460	505		345	375		50	670		400	140			420	310	15					
35 - 40	400	515	565	16x27					415	200			670	500	440		530	400	500	370		950	620	530		G1¼"
*40 - 40		495	540	16x23	400	495	540	16x23	390	428	195		872	470	450		560	420	515	380	27	1200	733	662	35	G1"
*40 - 45	450	550	595						400	475		70	862		500		600	480	600	480	15	1125	700	625		G1¼"
*45 - 50	500	600	645	20x23	450	550	595		440	530	200		827	600	550	170	650	530	620	500		1400	850	750		
*50 - 50					500	600	645	20x23	490	535			960		625		620	490	570	440	25	1250	790	660	32	G1"
*50 - 55	550	655	705						590	220		80		710			700	550	660	510	20	1400	875	745		
*55 - 60	600	705	755	20x27	550	655	705		540	650	250		919	800	680		760	610	720	570		1500	950	800	42	G (R) 1½"
*60 - 60					600	705	755	20x27	590	640	270	100	1047	710		210	700	550	630	480	35	1480				(BSP)
*60 - 65	650	760	810						710					800	850		800	650	740	590	30	1730	1075	925		



NETHERLANDS: Enschedestraat 234, 7552 CM Hengelo, PO Box 650, 7550 AR Hengelo
T: +31 (0)742455200 F: +31 (0)742455201 E: info@rodelta.com W: www.rodelta.com
UNITED KINGDOM: 22 Commerce Way, Lancing Business Park, West Sussex. BN15 8TA
T: +44 (0)1273782240 Skype: rodeltauuk E: salesuk@rodelta.com