

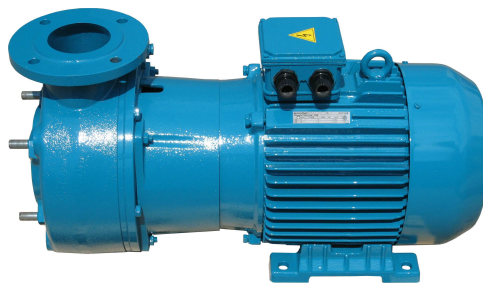
ROBUSTA

TECHNICAL MANUAL

COMPLETE

ENGLISH EDITION

REV 02b
SEPT. 2008

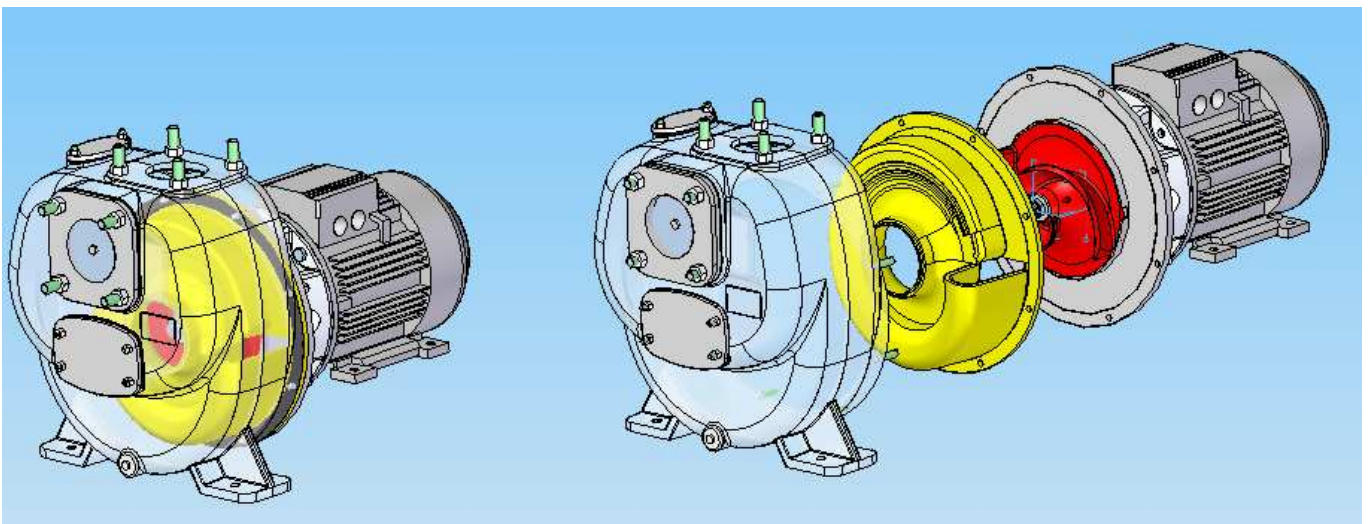
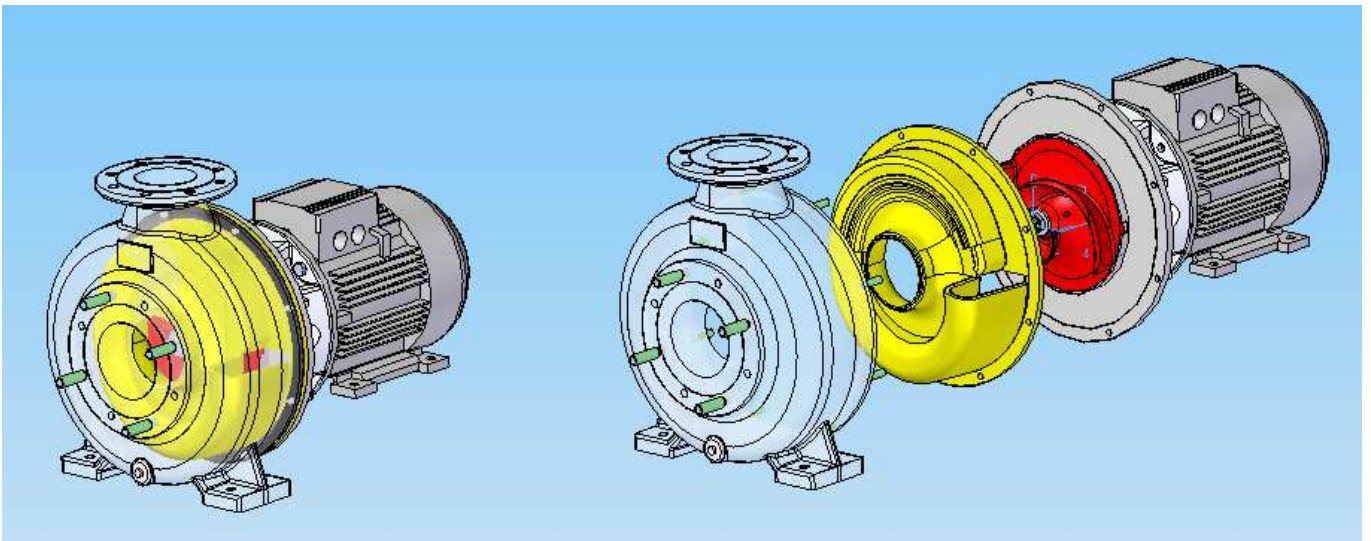


TECHNICAL MANUAL

GENERAL INFORMATIONS

The pumps belonging to the Robusta series are centrifugal, with open impeller and high hydraulic efficiency, with internal “armoured-shield” to resist to abrasiv and corrosive action of liquids even if with solids in suspension.

Any liquid with solids in suspension, large or small, hard or soft, can be easily pumped by this machines. Muddy water, bentonite sludge, bilge water, sawdust muds...



The volute shaped internal armour is made of abrasion resistant material, in the standard version, or made of the right material for the pumped liquid according to the “ available versions” chart. The volute plate is fixed to the casing without screws.

Available series:

- RC centrifugal, for Industry
- RB centrifugal self priming for Industry, Contractors and Emergency
- RW vacuum assisted, for contracting and wellpoint

RC series is centrifugal, normalized. Available bareshaft or monobloc with electric motor. This kind of pump is suitable for industrial end-uses but not only for pumping special liquids

RB series has a special shaped casing that allows to prime without needing to fill the pipes and without foot valve. The pump selfprimes faster and safer thanks to the particular interaction between the casing and the volute plate. Available versions: bareshaft, monobloc, engine or electric driven

RW series are built with a vacuum pump that splits air from water. Excellent for water bed control or in presence of long suction pipes

FABRICATION

ROBUSTA pumps are built of cast iron with hard metal versions for heavy use and of bronze for sea water use (see below)

CASING: with high thickness walls, of cast iron with normalized ports NP10

VOLUTE PLATE / VOLUTE SHIELD: made of nodular iron, applied without internal screws.

Completely and easily removable

IMPELLER: innovative, with open blades and high solid passage

SEAL: mechanical type of hard metal, with particular cooling system in event of dry running. Any model supports single or double seal according to API PLAN

SUPPORT: double supports with lifetime self lubricating bearings. Also available in oil lubricated version.

AVAILABLE VERSIONS

VERSIONE VERSION	COSTRUZIONE CONSTRUCTION	APPLICAZIONI APPLICATIONS
standard	Cast iron casing, nodular cast iron impeller and volute plate	All applications, even hard. Temperature up to 60° and pH 6-8
hard	Cast iron casing, hard cast iron impeller and volute plate	Very hard applications, hardness up to 350 brinnell
sea water	Cast iron casing, zinc anodes bronze impeller and volute plate, AISI 316 shaft	For salted, brackish and sea water
bronze	Bronze casing, impeller and volute plate, AISI 316 shaft	For on-board applications

ELECTRIC-DRIVEN SELF-PRIMING PUMPS monoblock version
 ELETTROPOMPE AUTOADESCANTI versione monoblocco

RB



type tipo	code codice	ports bocche inc/mm	head / prevalenza m						RPM giri al min	power potenza Kw	solids solidi mm
			delivery / portata mc/h								
			5	10	20	30	40	45			
RB212	RC212BGT	2"/50	15	14	12	9	4	-	2900	1,1	25
	RC212AGT	2"/50	18	17	14	11	2	-	2900	2,2	25
RB216	RC216BGT	2"/50	24	23	19	13	8	-	2900	3,0	25
	RC216AGT	2"/50	32	30	25	18	11	5	2900	4,0	25
RB220	RC220BGT	2"/50	42	40	36	30	22	15	2900	5,5	25
	RC220AGT	2"/50	52	50	45	38	28	18	2900	7,5	25
			10	20	40	60	80	90			
RB316	RC316BGT	3"/80		20	18	14	7	-	2900	4,0	27x34
	RC316AGT	3"/80	31	30	26	22	15	10	2900	5,5	27x32
RB320	RC320BGT	3"/80	32	32	30	28	20	7	2900	7,5	35
	RC320AGT	3"/80	40	38	36	32	27	20	2900	9,0	35
RB325	RC325BGT4	3"/80	15	14	12	10	6	-	1450	4,0	35
	RC325AGT4	3"/80	17	15	13	12	9	7	1450	5,5	35
	RC325BGT	3"/80	50	48	42	38	30	22	2900	15,0	35
	RC325AGT	3"/80	64	62	54	49	38	28	2900	18,5	35
			30	50	80	100	120	150			
RB416	RC416AGT	4"/100	25	23	21	19	14	12	2900	11,0	29x50
RB425	RC425BGT4	4"/100	15	14	12	10	9	6	1450	5,5	53x40
	RC425AGT4	4"/100	18	17	16	14	12	9	1450	7,5	53x40
	RC425BGT	4"/100	51	48	46	37	26	20	2900	22,0	40
	RC425AGT	4"/100	70	66	60	48	32	15	2900	30,0	40
RB431	RC431BGT4	4"/100	25	23	21	20	18	15	1450	11,0	40
	RC431AGT4	4"/100	30	28	25	24	22	18	1450	15,0	40
			70	100	150	200	250	300			
RB625	RC625AGT	6"/150	16	15	14	11	7	4	1450	11,0	30x73
			80	100	200	300	400	500			
RB831	RC831BGT	8"/200	24	23	22	21	18	15	1450	30,0	70
	RC831AGT	8"/200	30	29	27	26	22	18	1450	37,0	70