

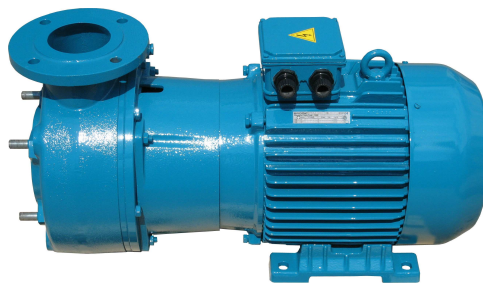
ROBUSTA

TECHNICAL MANUAL

COMPLETE

ENGLISH EDITION

REV 02b
SEPT. 2008

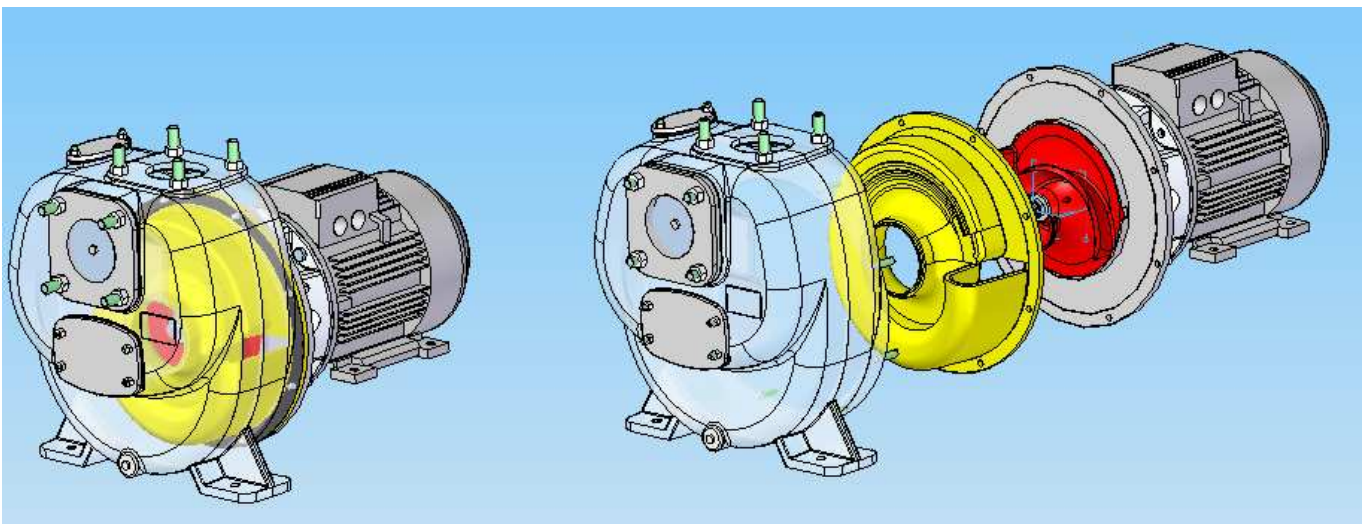
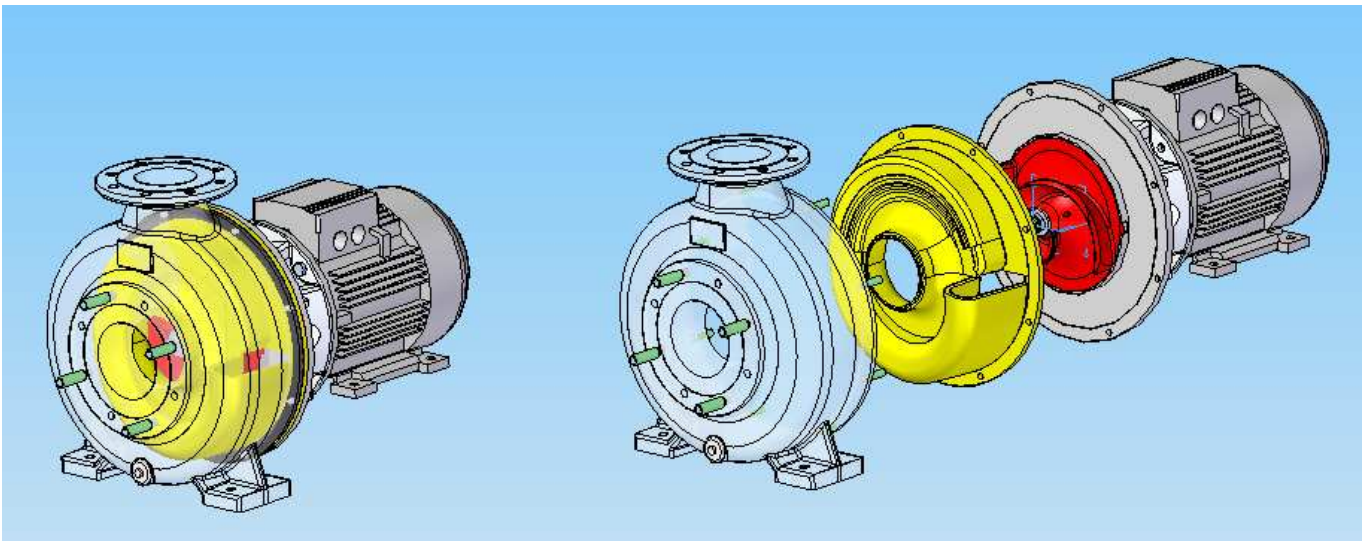


TECHNICAL MANUAL

GENERAL INFORMATIONS

The pumps belonging to the Robusta series are centrifugal, with open impeller and high hydraulic efficiency, with internal “armoured-shield” to resist to abrasiv and corrosive action of liquids even if with solids in suspension.

Any liquid with solids in suspension, large or small, hard or soft, can be easily pumped by this machines. Muddy water, bentonite sludge, bilge water, sawdust muds...



The volute shaped internal armour is made of abrasion resistant material, in the standard version, or made of the right material for the pumped liquid according to the “ available versions” chart. The volute plate is fixed to the casing without screws.

Available series:

- RC centrifugal, for Industry
- RB centrifugal self priming for Industry, Contractors and Emergency
- RW vacuum assisted, for contracting and wellpoint

RC series is centrifugal, normalized. Available bareshaft or monobloc with electric motor. This kind of pump is suitable for industrial end-uses but not only for pumping special liquids

RB series has a special shaped casing that allows to prime without needing to fill the pipes and without foot valve. The pump selfprimes faster and safer thanks to the particular interaction between the casing and the volute plate. Available versions: bareshaft, monobloc, engine or electric driven

RW series are built with a vacuum pump that splits air from water. Excellent for water bed control or in presence of long suction pipes

FABRICATION

ROBUSTA pumps are built of cast iron with hard metal versions for heavy use and of bronze for sea water use (see below)

CASING: with high thickness walls, of cast iron with normalized ports NP10

VOLUTE PLATE / VOLUTE SHIELD: made of nodular iron, applied without internal screws.

Completely and easily removable

IMPELLER: innovative, with open blades and high solid passage

SEAL: mechanical type of hard metal, with particular cooling system in event of dry running. Any model supports single or double seal according to API PLAN

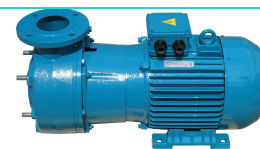
SUPPORT: double supports with lifetime self lubricating bearings. Also available in oil lubricated version.

AVAILABLE VERSIONS

VERSIONE VERSION	COSTRUZIONE CONSTRUCTION	APPLICAZIONI APPLICATIONS
standard	Cast iron casing, nodular cast iron impeller and volute plate	All applications, even hard. Temperature up to 60° and pH 6-8
hard	Cast iron casing, hard cast iron impeller and volute plate	Very hard applications, hardness up to 350 brinnell
sea water	Cast iron casing, zinc anodes bronze impeller and volute plate, AISI 316 shaft	For salted, brackish and sea water
bronze	Bronze casing, impeller and volute plate, AISI 316 shaft	For on-board applications

TECHNICAL DATA

ELECTRIC-DRIVEN CENTRIFUGAL PUMPS monoblock version
 ELETTROPOMPE CENTRIFUGHE versione monoblocco

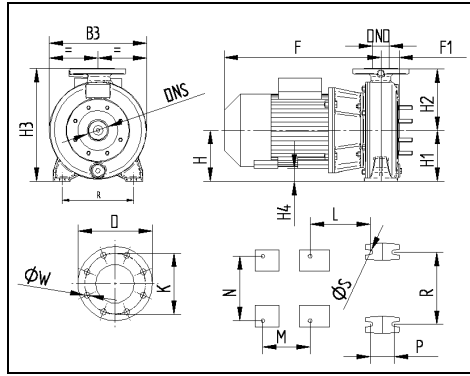


RC

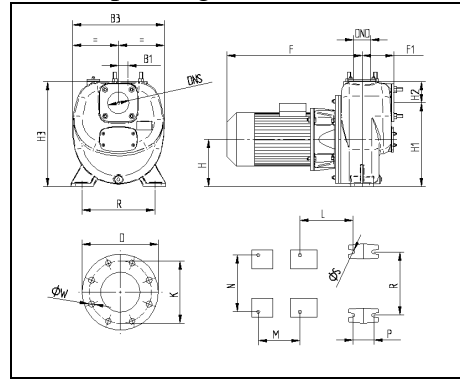
type tipo	code codice	ports bocche inc/mm	head / prevalenza m						RPM giri al min	power potenza Kw	solids solidi mm
			delivery / portata mc/h								
			5	10	20	30	40	45			
RC212	RC212BGT	2"/50	15	14	12	9	4	-	2900	1,1	25
	RC212AGT	2"/50	18	17	14	11	2	-	2900	2,2	25
RC216	RC216BGT	2"/50	24	23	19	13	8	-	2900	3,0	25
	RC216AGT	2"/50	32	30	25	18	11	5	2900	4,0	25
RC220	RC220BGT	2"/50	42	40	36	30	22	15	2900	5,5	25
	RC220AGT	2"/50	52	50	45	38	28	18	2900	7,5	25
			10	20	40	60	80	90			
RC316	RC316BGT	3"/80		20	18	14	7	-	2900	4,0	27x34
	RC316AGT	3"/80	31	30	26	22	15	10	2900	5,5	27x32
RC320	RC320BGT	3"/80	32	32	30	28	20	7	2900	7,5	35
	RC320AGT	3"/80	40	38	36	32	27	20	2900	9,0	35
RC325	RC325BGT4	3"/80	13	12	10	9	5	-	1450	4,0	35
	RC325AGT4	3"/80	16	15	13	12	9	5	1450	5,5	35
	RC325BGT	3"/80	50	48	42	38	30	22	2900	15,0	35
	RC325AGT	3"/80	64	62	54	49	38	28	2900	18,5	35
			30	50	80	100	120	150			
RC416	RC416AGT	4"/100	25	23	21	19	14	12	2900	11,0	29x50
RC425	RC425BGT4	4"/100	15	14	12	10	9	6	1450	5,5	53x40
	RC425AGT4	4"/100	18	17	16	14	12	9	1450	7,5	53x40
	RC425BGT	4"/100	56	52	48	40	28	20	2900	22	35
	RC425AGT	4"/100	72	68	64	52	36	22	2900	30	35
RC431	RC431BGT	4"/100	25	23	21	20	18	15	1450	11,0	40
	RC431AGT	4"/100	30	28	25	24	22	18	1450	15,0	40
			70	100	150	200	250	300			
RC625	RC625AGT	6"/150	16	15	14	11	7	4	1450	11,0	30x73
			80	100	200	300	400	500			
RC831	RC831BGT	8"/200	24	23	22	21	18	15	1450	30,0	70
	RC831AGT	8"/200	30	29	27	26	22	18	1450	37,0	70

ELECTRIC PUMPS

RC centrifugal



RB self-priming



RC centrifugal

CODE	DNS	DND	B1	B3	F	F1	H	H1	H2	L	M	N	P	R	S
RC216AGT	65	50	0	289	464	54	150	150	182	179	140	190	70	212	14
RC216BGT	65	50	0	289	455	54	150	150	182	172	140	160	70	212	14
RC220AGT	65	50	0	315	582	67	160	160	194	265	140	216	70	200	14
RC220BGT	65	50	0	315	582	67	160	160	194	265	140	216	70	200	14
RC316AGT	100	80	0	328	569	83	132	/	220	/	140	216	/	/	/
RC316BGT	100	80	0	328	569	83	132	/	220	/	140	216	/	/	/
RC320AGT	100	80	0	351	570	92	180	180	252	223	140	216	112	280	14
RC320BGT	100	80	0	351	570	92	180	180	252	223	140	216	112	280	14
RC325AGT	100	80	0	437	703	94	225	225	280	268	254	254	112	280	14
RC325BGT	100	80	0	437	703	94	225	225	280	268	210	250	112	280	14
RC325AGT4	100	80	0	437	579	94	225	225	280	232	140	216	112	315	14
RC325BGT4	100	80	0	437	535	94	225	225	280	220	140	190	112	315	14
RC416AGT	125	100	0	334	727	86	160	181	227	358	210	254	/	201	13
RC425AGT4	125	100	0	424	584	103	225	225	277	267	140	216	60	300	16
RC425BGT4	125	100	0	424	584	103	225	225	277	267	140	216	60	300	16
RC425BGT	125	100	0	424	820	103	225	225	277	316	241	279	60	300	16

RB self-priming

CODE	DNS	DND	B1	B3	F	F1	H	H1	H2	L	M	N	P	R	S
RB212AGT	50	50	60	262	474	96	135	239	71	217	125	140	70	160	14
RB212BGT	50	50	60	262	474	96	135	239	71	217	100	140	70	160	14
RB216AGT	50	50	55	287	472	103	150	265	78	167	140	190	90	212	14
RB216BGT	50	50	55	287	463	103	150	265	78	160	140	160	90	212	14
RB220AGT	50	50	60	314	600	101	160	279	71	283	140	216	70	200	14
RB220BGT	50	50	60	314	600	101	160	279	71	283	140	216	70	200	14
RB316AGT	80	80	80	350	564	156	170	319	109	282	140	216	/	260	18
RB316BGT	80	80	80	350	520	156	170	319	109	270	140	190	/	260	18
RB320AGT	80	80	65	347	570	163	180	326	104	222	140	212	112	280	14
RB320BGT	80	80	65	347	570	163	180	326	100	222	140	212	112	280	14
RB325AGT	80	80	65	437	702	163	225	405	100	267	254	250	112	280	14
RB325BGT	80	80	65	437	702	163	225	405	100	267	210	250	112	280	14
RB325AGT4	80	80	65	437	579	163	225	405	100	232	140	216	112	320	14
RB325BGT4	80	80	65	437	535	163	225	405	100	220	140	190	112	320	14
RB416AGT	100	100	45	352	737	152	174	365	108	340	210	254	/	300	18
RB425BGT	100	100	46	442	844	153	225	400	102	347	241	279	56	350	16
RB425AGT4	100	100	46	442	652	153	225	400	102	298	140	216	56	350	16
RB425BGT4	100	100	46	442	612	153	225	400	102	298	140	216	56	350	16
RB625AGT4	150	150	70	512	829	188	260	450	131	402	210	254	50	360	18

DIESEL PUMPS