



## BENEFITS

### *Practical*

- Quick changeover
- Easy maintenance
- Offline service

### *Economical*

- Increased productivity
- Reduced chemistry waste
- Reduced energy usage
- Short-term ROI

### *Ecological*

- Reduced energy usage
- Reduced chemistry and water waste
- Healthy working environment

## Spray Applicator – revolutionizing the *Textile Finishing Industry*

Baldwin Spray Applicator technology enables a continuous, sustainable textile and nonwoven finishing process with less energy consumption, reduced waste of water and chemicals as well as substantial time savings and increased productivity.

Its many features make the Spray Applicator a small investment that pays off with a maximized return on investment.

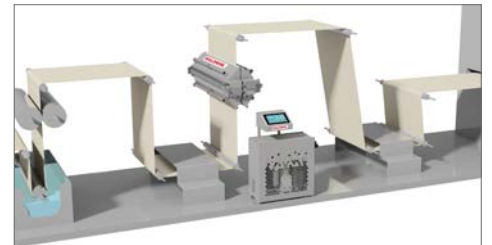
Thanks to its fully Automatic flushing feature, changeover, including change of chemistry, is done in less than 5 minutes, while traditional methods may require 15-30 minutes.

The flushing is easily performed automatically by a touch on the digital control panel.

To further minimize downtime and optimize production capacity, the Spray Applicator is equipped with Exchangeable cassette valve rails, enabling maintenance service of spray valves offline during operation.

Low energy consumption, reduced waste of water and chemistry combined ensure a sustainable textile finishing process. Additionally, Mist containment covers secure a healthy working environment by preventing aerosols from escaping.

The Baldwin Spray Applicator manages a wide range of low-viscosity chemistries, single and dual-sided applications and various textile characteristics as well as wet-on-wet applications without the risk of contamination from other chemistry sources.



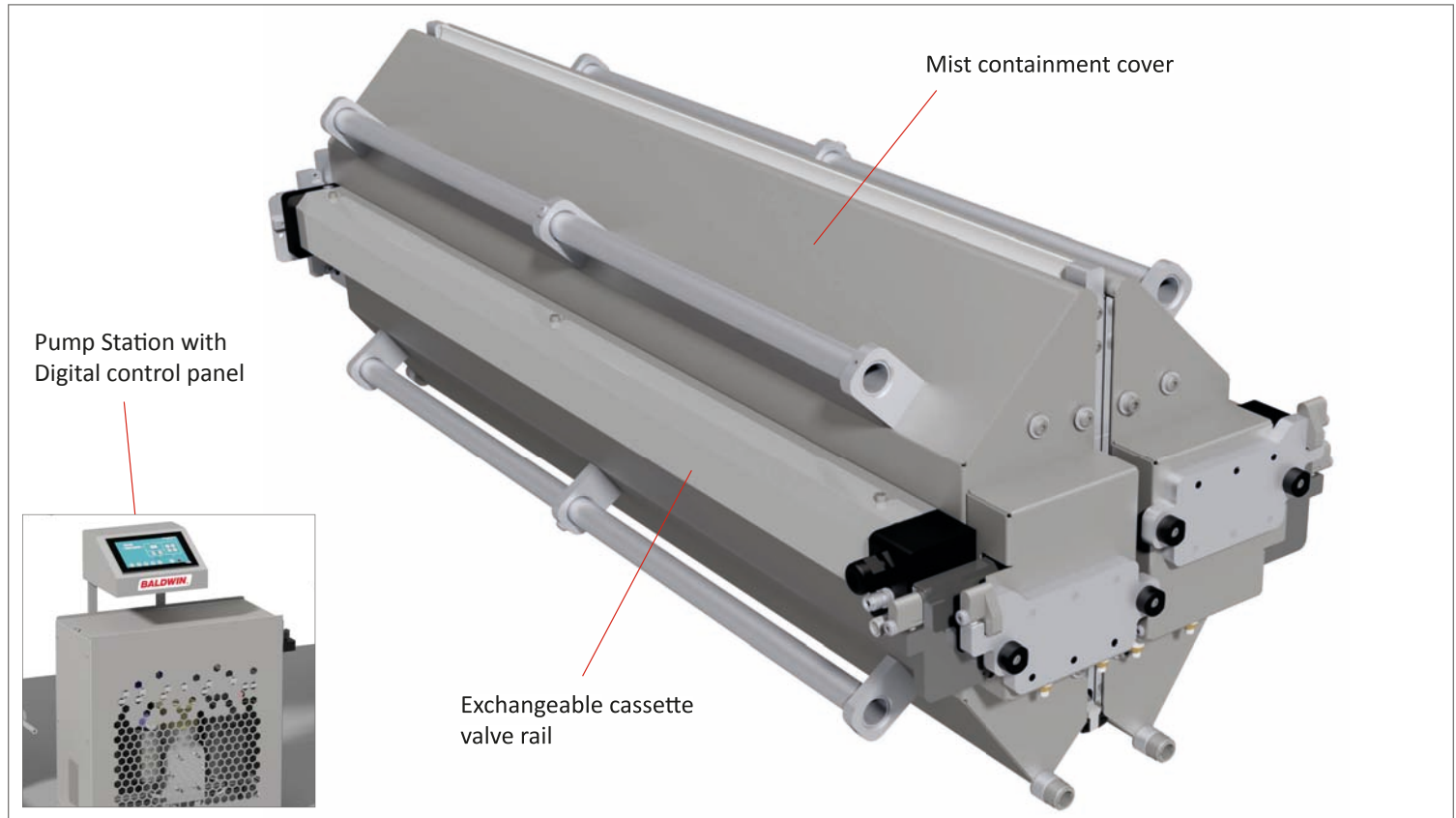
*Baldwin Spray Applicator in a textile (or non-woven) finishing process.*

- What our customers are saying -

“ We have truly benefitted from the installation of the Baldwin Spray Applicator and made substantial savings on quality cost and increased productivity. Regarding the laminated products we have been able to free up to 50% of the time in the stenter line. We are also very happy about the savings on chemistry that the flexibility of the system has provided. Today we change chemistry in 2-5 minutes, a process that used to take 30 minutes. ”

- ELISABETTA GASPARI, GENERAL MANAGER, VAGOTEX, ITALY

# SPRAY APPLICATOR *Spray Solutions*



## Technical features

- Single or dual-sided application
- Fully automatic flushing
- Individual nozzle control
- Automatic volume adjustment
- Mist containment covers
- Exchangeable cassette valve rails
- Digital touch-screen control panel
- Tool-free nozzle exchange
- Automatic valve failure detection

### Wet-on-wet applications

Baldwin Spray Applicator ensures a consistent result every time since there is no dilution caused by a second source of chemistry. Achieving this when using traditional methods would be a tough challenge.

### Single and dual-sided application

The system can be configured for single or dual-sided applications. It also enables simultaneous applications of different chemistries on either sides of the textile.

### Variety of chemistries

Baldwin Spray Applicator is able to apply a wide range of low-viscosity chemistries, such as Hydrophilic, Hydrophobic, Fabric Softeners etc. Since it also processes any type of fabric, the possibilities are endless.

Baldwin has more than 30 years' experience in supplying advanced precision Spay Systems. Introducing the spray technology to the textile and nonwoven finishing industry has opened many eyes to the potential monetary and environmental savings that it brings.

